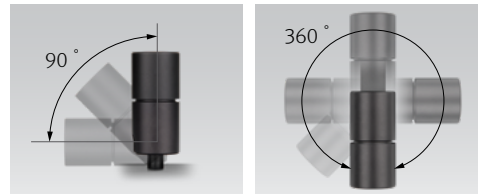


PRODUCT FEATURES

- Super slim track lighting system with various spot option (#1)
- Pendant suspension option with H track (#2)
- Compatible and linkable with MonoRail system
- Slide and Swivel High Output LED Spotlight
- Suitable for furniture and interior design
- Simple Plug & Play connection to the power track
- Available in Black, White
- With constant voltage DC 24V driver
- Double joint head available for 6W spot (#2)

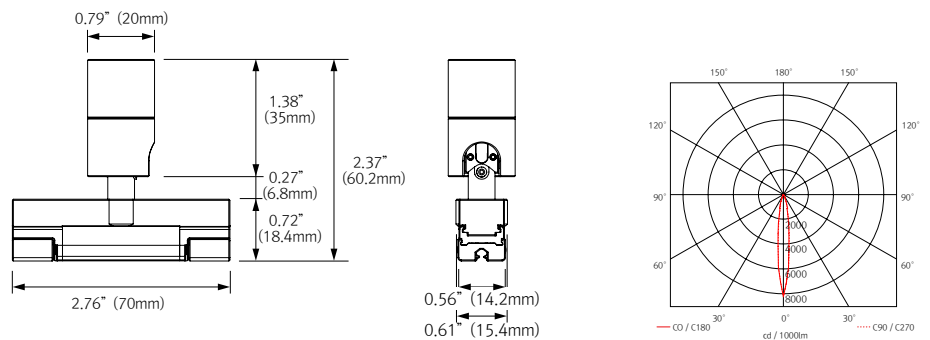
PRODUCT SPECIFICATIONS

- Voltage: DC 24V
- Operating temperature: 0–45°C (32–113°F)
- Lamp Life: 50,000hr / 70%
- Available Color: 2700K, 3000K, 3500K, 4000K
- Color Rendering: CRI>90
- Degree of protection: IP20
- 3 year warranty



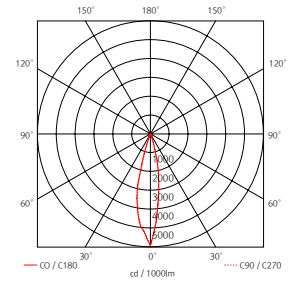
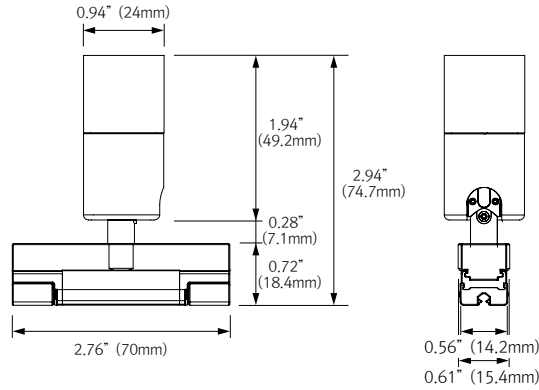
Model Name	Beam Angle
MSP1 40K-24V-BK-15	15°, 35°
MSP3 40K-24V-BK-28	28°, 40°, 50°
MSP6 40K-24V-BK-25	25°, 38°, 50°

MonoRail Spot Pro 1W



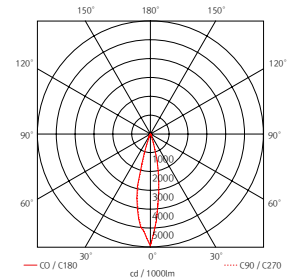
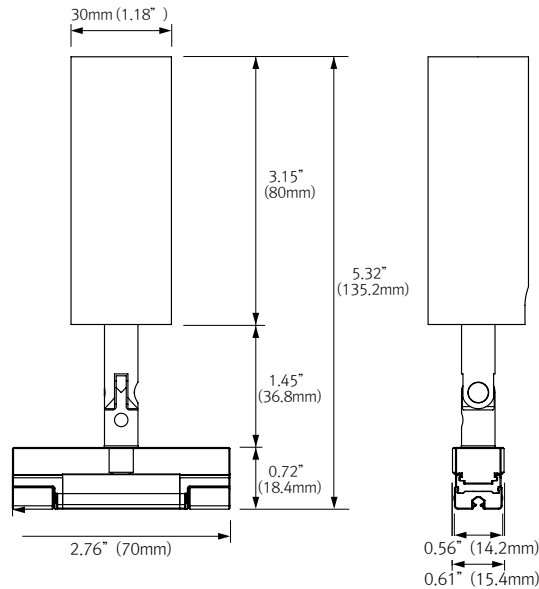
Model Name	Power Input	Lamp Power	Luminous Flux	Efficiency	Color Rendering	Available Color	Beam Angle	Operating Temperature
MSP1 40K-24V-BK-15	DC 24V	1.3W	91lm	70lm/W	CRI > 90	2,700K/3,000K/3,500K/4,000K	15°, 35°	0–45°C

MonoRail Spot Pro 3W



Model Name	Power Input	Lamp Power	Luminous Flux	Efficiency	Color Rendering	Available Color	Beam Angle	Operating Temperature
MSP3 40K-24V-BK-28	DC 24V	2.6W	254lm	98lm/W	CRI > 90	2,700K/3,000K/3,500K/4,000K	28°, 40°, 50°	0-45°C

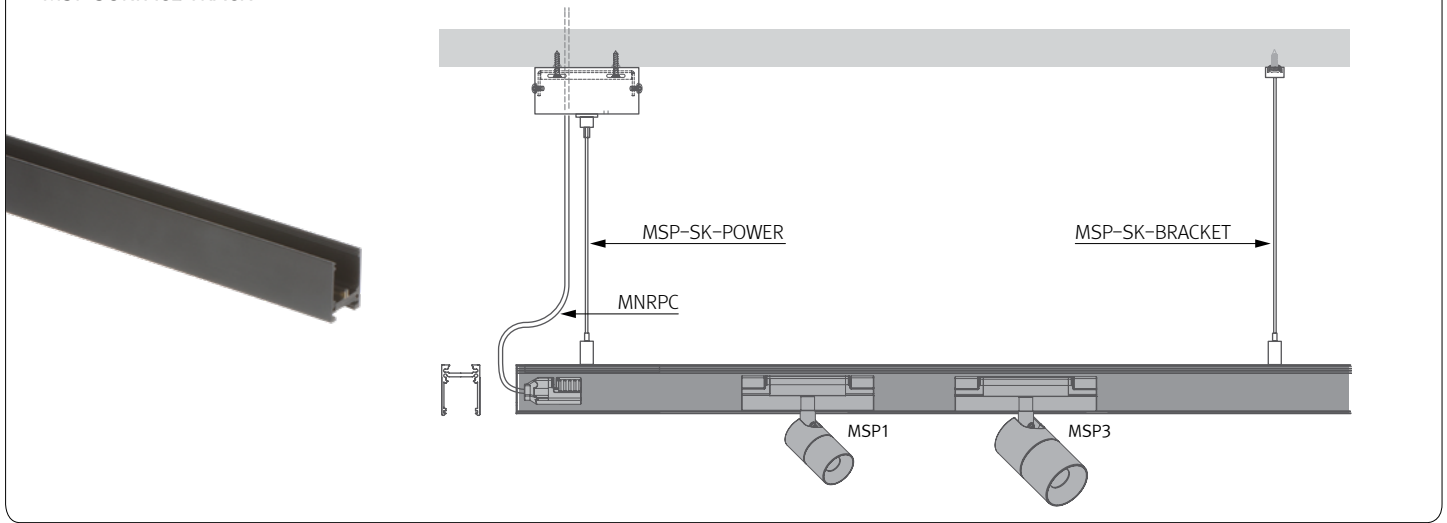
MonoRail Spot Pro 6W
(Double joint)



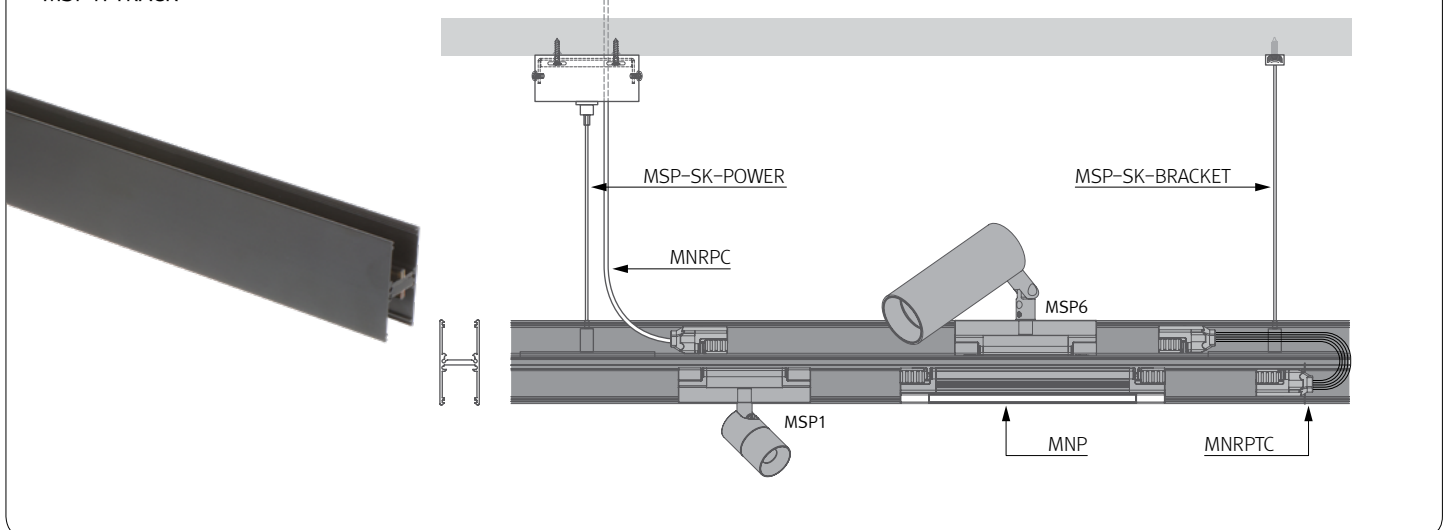
Model Name	Power Input	Lamp Power	Luminous Flux	Efficiency	Color Rendering	Available Color	Beam Angle	Operating Temperature
MSP6 40K-24V-BK-25	DC 24V	5.6W	394lm	70 lm/W	CRI > 90	2,700K/3,000K/3,500K/4,000K	25°, 38°, 50°	0-45°C

INSTALLATION

* MSP SURFACE TRACK



* MSP H TRACK



COMPONENTS



MonoRail Spot Pro 1W
__MSP1 40K-24V-BK-15
__MSP1 40K-24V-BK-35

(15°, 35°)



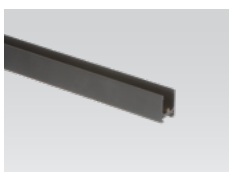
MonoRail Spot Pro 3W
__MSP3 40K-24V-BK-28
__MSP3 40K-24V-BK-40
__MSP3 40K-24V-BK-50

(28°, 40°, 50°)

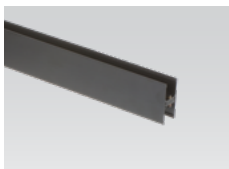


MonoRail Spot Pro 6W (Double Joint)
__MSP6 40K-24V-BK-25
__MSP6 40K-24V-BK-38
__MSP6 40K-24V-BK-50

(25°, 38°, 50°)



MSP SURFACE TRACK 1,200mm(4')
__MSP-EXS-WT (white)
__MSP-EXS-BK (black)
With MNR-Rail



MSP H TRACK 1,200mm(4')
__MSP-EXH-WT (white)
__MSP-EXH-BK (black)
With MNR-Rail



Pendent Suspension Power Kit
__MSP-SK-POWER



Pendent Suspension Bracket
__MSP-SK-BRACKET



Power Feed
__MNRPC-WT
__MNRPC-BK



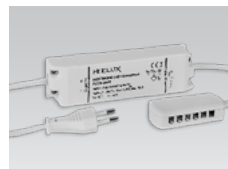
Power Supply Track
__MNR-Rail-BK 20M(65')
__MNR-Rail-WT 20M(65')
__MNR-Rail-BK 1,200mm(4')
__MNR-Rail-WT 1,200mm(4')



Connecting Cable
__MNRPTC/T 150mm(6")-BK
__MNRPTC1/T 300mm(1')-BK
__MNRPTC2/T 600mm(2')-BK
__MNRPTC4/T 1,200mm(4')-BK
__MNRPTC6/T 1,800mm(6')-BK
__MNRPTC/T 150mm(6")-WT
__MNRPTC1/T 300mm(1')-WT
__MNRPTC2/T 600mm(2')-WT
__MNRPTC4/T 1,200mm(4')-WT
__MNRPTC6/T 1,800mm(6')-WT



12 Port Hub
__12 Way distributor
Included with Cord and Plug drivers. Order separately for 3rd Party Drivers



LED Drivers
__FLC30-24V/T (30W)
__FLC75-24V/T (75W)
with distributor and power cord 1,800mm(6')



LED Driver
__FLC200-24V/T (200W)
with 12way distributor



Dimming Interface (0-10V/1-10V)
__FDC-L10 (Max. 100W)



Dimming Interface (0-10V/1-10V, DMX512)
__FDA-L2MO (0-10V/1-10V, DMX512) Max. 200W (100W/CH, 2CH)
__FDA-L5M (DMX512) Max. 200W (50W/CH, 5CH)



Dimming Interface (Dail)
__FDD-L1DA
Max. 200W (100W/CH, 1CH)



Door and motion sensor
__FLS-M24V



Occupancy sensor
__FLS-P24V

A larger selection of drivers are available including remote and hard wire drivers. Please consult factory.