

inox
LIGHTING INNOVATORS

t +44(0)1702 468165
e sales@inox.co.uk
w inox.co.uk

FLX Spot DVS Swivel

LED for Kitchen cabinet, Displays & Furniture

Super Slim Swivel LED Spotlight



- Linkable together with FLX series
- Single 4W diode eliminates multiple shadows
- Virtually no heat emission and no UV radiation
- Available in silver, bronze, white, black
- To be used with constant voltage DC 24V driver
- Dimmable with available accessories

Various color





Specification

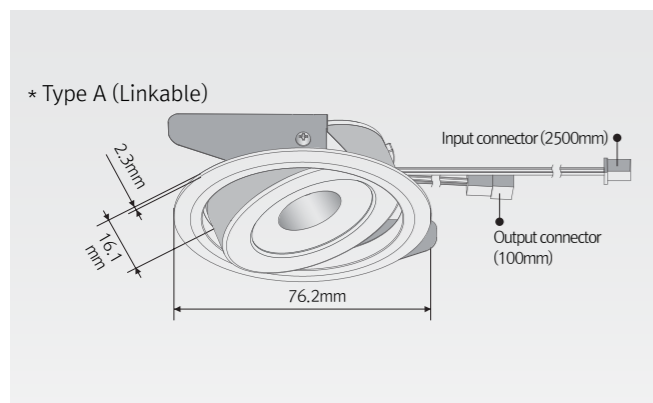
Model Name	Color	Power Input	Lamp Power	Luminous Flux	Efficiency	Color Rendering	Available Color	Beam Angle	Operating Temperature
DVS4A 40K-24V-SW-WT	White	DC24V	4.3W	345 lm	80 lm/W	Ra > 85	2,700K/3,000K/3,500K/4,000K	60°	0~45°C
DVS4A 40K-24V-SW-BK	Black	DC24V	4.3W	345 lm	80 lm/W	Ra > 85	2,700K/3,000K/3,500K/4,000K	60°	0~45°C
DVS4A 40K-24V-SW-BZ	Bronze	DC24V	4.3W	345 lm	80 lm/W	Ra > 85	2,700K/3,000K/3,500K/4,000K	60°	0~45°C
DVS4A 40K-24V-SW-SV	Sliver	DC24V	4.3W	345 lm	80 lm/W	Ra > 85	2,700K/3,000K/3,500K/4,000K	60°	0~45°C

Max. connection

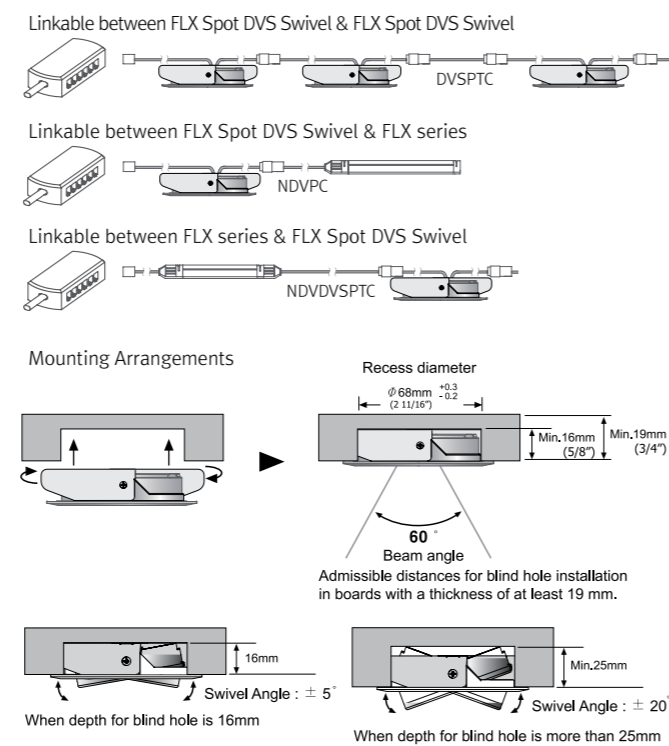
- FLX Spot DVS Swivel : Max 7pcs in a row
- LED Driver

Model Name	Max. units for Led driver			
	24V/15W	24V/30W	24V/75W	24V/200W
DVS4A 40K-24V-SW	3	7	17	47

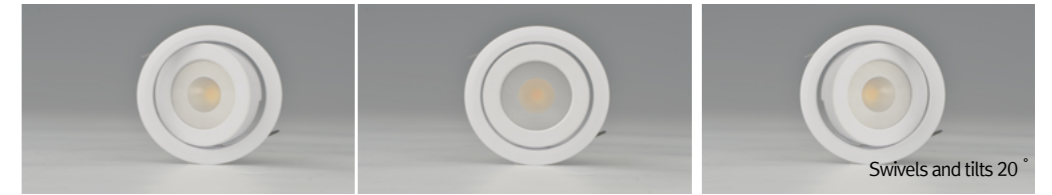
Dimension



Installation



Various options



Accessories

Ⓐ FLX Spot DVS Swivel linkable type

White	Black	Bronze	Silver
DVS4A 40K-24V-SW-WT	DVS4A 40K-24V-SW-BK	DVS4A 40K-24V-SW-BZ	DVS4A 40K-24V-SW-SV



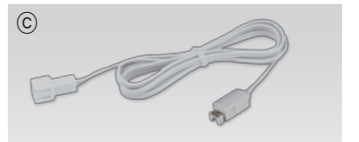
Ⓑ Extension cable : DVSPTC (2500mm)

Between FLX Spot DVS Swivel & FLX Spot DVS Swivel or 6 way distributor



Ⓒ Connecting cable : NDVDVSPTC (1000mm)

Between FLX Spot DVS Swivel & FLX Stix NDV



Ⓓ Connecting cable : NDVPC (2500mm)

Between FLX Stix NDV & FLX Spot DVS Swivel



Ⓔ LED Driver with 12way distributor, with power cord (1,800mm)

Part No	FLC15-24V/T	FLC30-24V/T	FLC75-24V/T
Capacity	15W 24V	30W 24V	75W 24V



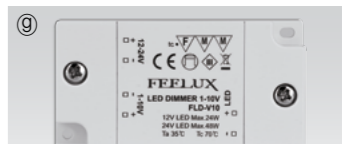
Ⓕ LED Driver : FLC200-24V/T (200W 24V)

LED Driver With 12way distributor



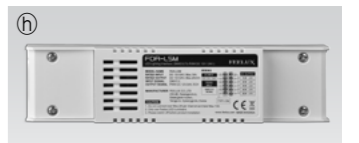
Ⓖ Dimming Interface (1-10V) : FDC-L10

Max. 100W (100W/CH, 1CH)



Ⓖ Dimming Interface(0-10/1-10,DMX512)

FDA-L2MO : Max. 200W (100W/CH, 2CH)
FDA-L5M : Max. 200W (100W/CH, 5CH)



Ⓖ Door and motion detection sensor : FLS-M24V

Voltage : DC 24V



Ⓖ Human-body detection sensor : FLS-P24V

Voltage : DC 24V

