

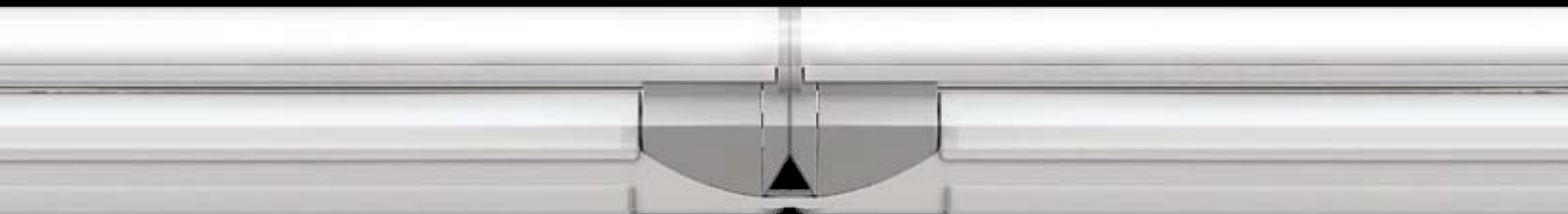
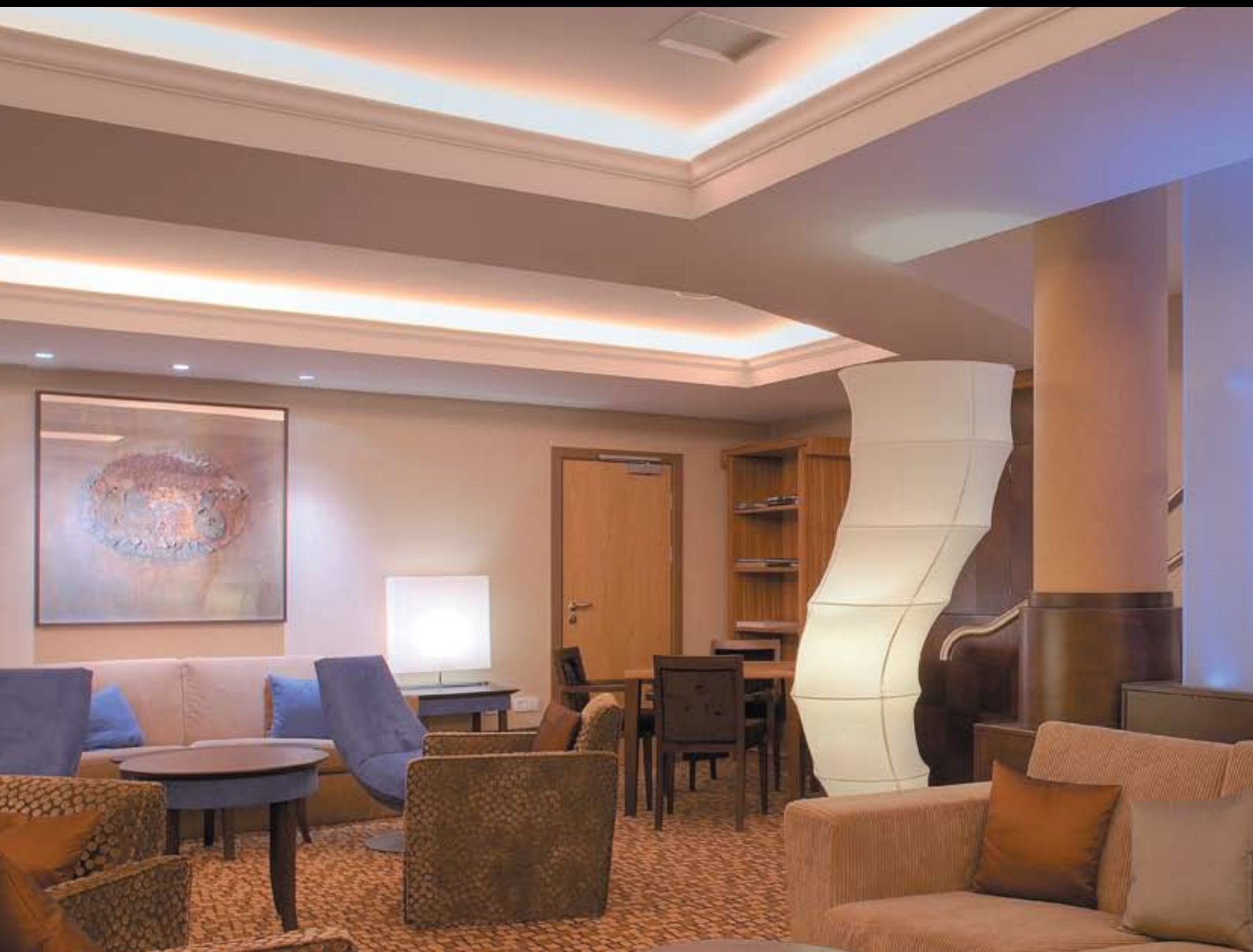
COMPLETE GUIDE TO

Seamless Lighting

FLUORESCENT & LED

240V PLUG'N'PLAY & L2 COMPLIANT

inox
lighting innovators



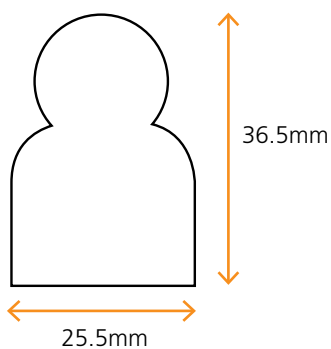
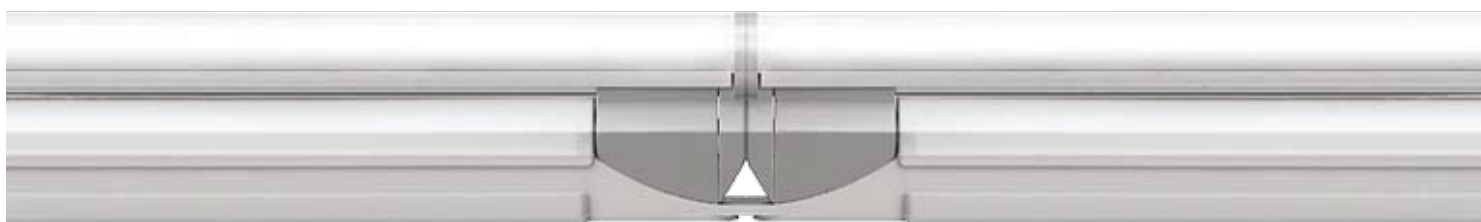
t: 0845 643 9533 e: sales@inox.co.uk

www.inox.co.uk



LED DecoLink

SEAMLESS 240 VOLT 1100 LUMEN PER METRE.
3000K, 4000K, 6000K, RED, GREEN, BLUE.



ACTUAL SIZE

Length 456mm



Decorative seamless LED

240v 'plug and play' system.

Integral power supply - simple installation and wiring.

Decolink LED is an exclusively designed LED lamp. Featuring a linear lighting fixture casting a clean, continuous light without dark spots.

Decolink LED is suitable for cove lighting as well as furniture, displays and showcases. Various shades of white plus red, green and blue are offered.

Product features

- AC power driver built in (SMPS not needed)
- Various colours available - 3000k, 4000k, 6500k, red, green and blue
- Transparent ivory white diffuser
- Isolation circuit applied
- Dark spot free at the linking point
- Compatible with accessories for fluorescent DecoLink
- Isolation Class: CLASS II
- Degree of Protection: IP20

Specification

Voltage	AC 220-240v		
Wattage	10w		
Frequency	50/60hz		
Operating temperature	0-50°c		
Lamp life	30,000hr		
Energy efficiency	50lm/w		
Colour rendering (Ra)	80	80	70
Colour temperature	3000k	4000k	6500k
Max connection	200w (20 pieces)		



Connecting cable DSLLPTC



Power cord DSLLPC230



Fluorescent SlimLink

SEAMLESS T5 HIGH OUTPUT LINEAR FIXTURE.

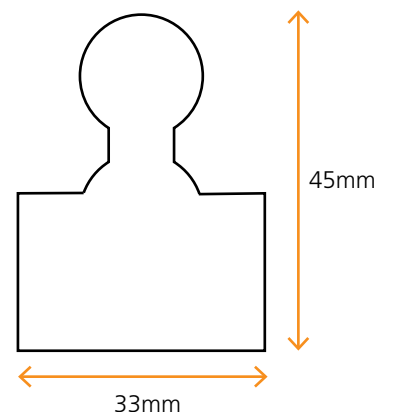


The original Seamless luminaire.

Now with two new sizes and an expanded range of lamp colours.

Seamless lamps mean continuous, clean runs of light with no dark spots and without the inconvenience of overlapping tubes.

Interior designers who have traditionally shunned fluorescent fixtures because of the ever present dark zones now have a viable and impressive alternative.



ACTUAL SIZE



DimSlimLink



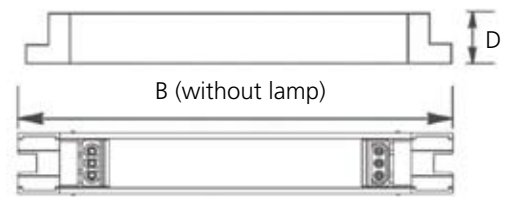
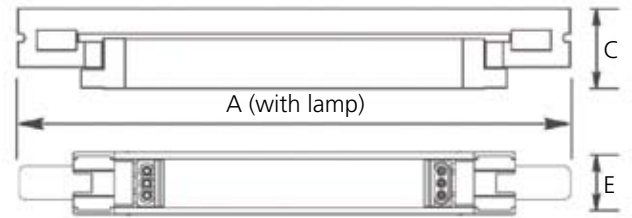
Standard T5 batten

Features & benefits

- Butt end to end - no overlapping, smaller cove size
- Produces the same lumen output throughout the run
- No dark zone between lamps
- Available in high output and high efficiency versions
- Linkable up to 600 lamp watts in a run
- Meets worldwide safety standards, TUV & CE certified and UL listed
- Built-in electronic ballast
- Instant-on starting, quiet and flicker free
- Easy connection saves installation time and prevents accidental cross wiring
- Protection from lamp end of life (EOL), no overload
- Rigid aluminium extruded body and snap in mounting brackets
- Lamps available in colour temperatures 2200k, 2700k, 3000k, 3500k, 4000k, 6500k & 8000k. (Lamps ordered separately.)
- Frequency range: 50/60hz
- Voltage: 110-130v, 220-240v (smart ballast)
- Power factor: >97%
- Colour rendering: >RA80
- THD: <15%
- EMC test: EN55015
- Degree of protection: IP20
- Class of protection: II
- Over 75lm/w (HO) & 90lm/w (HE) (3000k & 4000k)



External dimensions



Model no.	Wattage	A (mm)	B (mm)	C (mm)	D (mm)	E (mm)
SLL8AB23NN	8 (HE)	350	267	45	27	33
SLL14AB23NN	14 (HE)	580	497	45	27	33
SLL24AB23NN	24 (HO)	580	497	45	27	33
SLL21AB23NN	21 (HE)	880	797	45	27	33
SLL39AB23NN	39 (HO)	880	797	45	27	33
SLL28AB23NN	28 (HE)	1180	1097	45	27	33
SLL54AB23NN	54 (HO)	1180	1097	45	27	33
SLL35AB23NN	35 (HE)	1400	1317	45	27	33

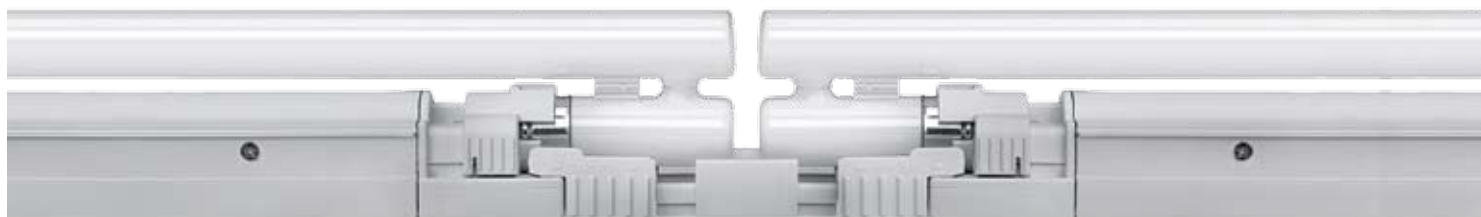
SlimLink Accessories

Power cable (end feed)	SLLPC230
Power cable (side feed)	SLLPC230/H
Power cable (top feed)	SLLPC230/V
Direct connector	SLLCPL
150mm connector cable	SLLPTC
300mm connector cable	SLLPTC1
600mm connector cable	SLLPTC2
1200mm connector cable	SLLPTC4
1800mm connector cable	SLLPTC6
Diffuser, 8W	SLL8CV
Diffuser, 14W/24W	SLL14CV
Diffuser, 21W/39W	SLL21CV
Diffuser, 28W/54W	SLL28CV
Diffuser, 35W	SLL35CV



Fluorescent DimSlimLink

SEAMLESS T5 DIMMABLE LINEAR FIXTURE.



No dark zones and dimmable.

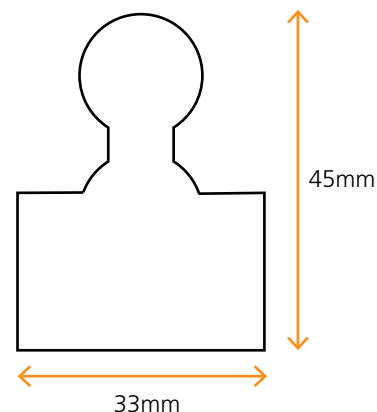
Using the same unique lamp design as Slimlink, Dimslimlink adds full dimmability.

PWM dimming system requires no additional signal cable.

Dimming range 100% to 5%.

PWM translators for phase, analogue, DSI, DALI and DMX dimming systems (see controls page).

Lamps available in 2200K, 2700k, 3000K, 3500k, 4000K, 6500K, 8000K, Red, Green & Blue.



ACTUAL SIZE



DimSlimLink



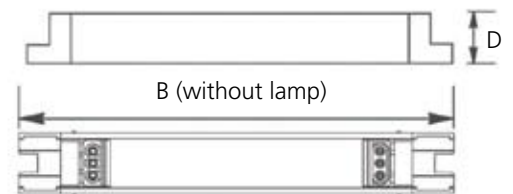
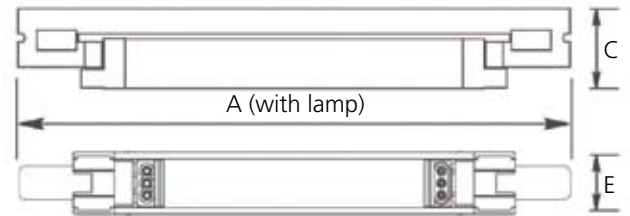
Standard T5 batten

Features & benefits

- Butt end to end - no overlapping, smaller cove size
- Produces the same lumen output throughout the run
- No dark zone between lamps
- Available in high output and high efficiency versions
- Meets worldwide safety standards, TUV & CE certified and UL listed
- Built-in electronic ballast
- Instant-on starting, quiet and flicker free
- Easy connection saves installation time and prevents accidental cross wiring
- Protection from lamp end of life (EOL), no overload
- Rigid aluminium extruded body and snap in mounting brackets
- Lamps available in colour temperatures 2200k, 2700k, 3000k, 3500k, 4000k, 6500k & 8000k. (Lamps ordered separately.)
- Frequency range: 50/60hz
- Voltage: 110-130v, 220-240v (smart ballast)
- Power factor: >97%
- Colour rendering: >RA80
- THD: <15%
- EMC test: EN55015
- Degree of protection: IP20
- Over 75lm/w (HO) & 90lm/w (HE) (3000k & 4000k)



External dimensions



Model no.	Wattage	A(mm)	B(mm)	C(mm)	D(mm)	E(mm)
DSLL8AB23NN	8 (HE)	350	267	45	27	33
DSLL14AB23NN	14 (HE)	580	497	45	27	33
DSLL24AB23NN	24 (HO)	580	497	45	27	33
DSLL21AB23NN	21 (HE)	880	797	45	27	33
DSLL39AB23NN	39 (HO)	880	797	45	27	33
DSLL28AB23NN	28 (HE)	1180	1097	45	27	33
DSLL54AB23NN	54 (HO)	1180	1097	45	27	33
DSLL35AB23NN	35 (HE)	1400	1317	45	27	33

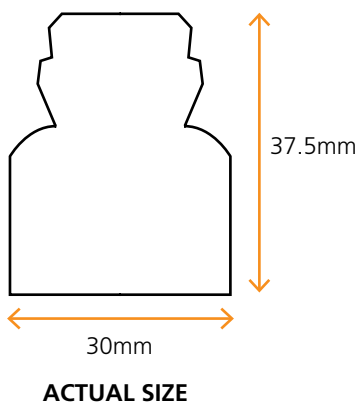
DimSlimLink Accessories

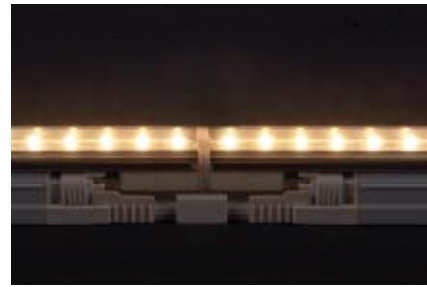
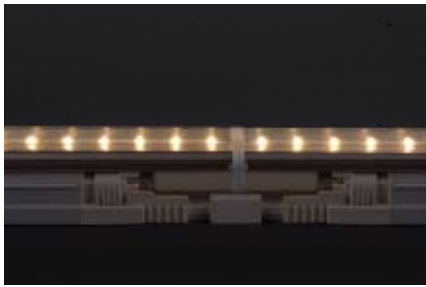
PWM/Power cable (end feed)	DSLLOPC230
Direct connector	SLLCPL
150mm connector cable	DSLLPTC
300mm connector cable	DSLLPTC1
600mm connector cable	DSLLPTC2
1200mm connector cable	DSLLPTC4
1800mm connector cable	DSLLPTC6
Diffuser, 8W	SLL8CV
Diffuser, 14W/24W	SLL14CV
Diffuser, 21W/39W	SLL21CV
Diffuser, 28W/54W	SLL28CV
Diffuser, 35W	SLL35CV



LED DimSlimLink

SEAMLESS LED LUMINAIRE, DIMMABLE, WITH REPLACEABLE LAMP.
OPERATES ON 240V, AVAILABLE IN 505mm & 1005mm LENGTHS.





Seamless dimmable LED

LED Dimslimlink's innovative design is the solution for eliminating dark spots in cove lighting.

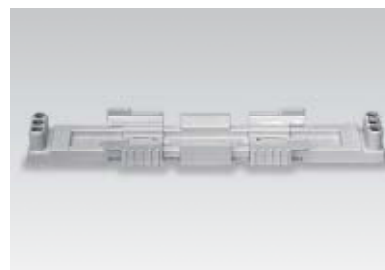
This unique and efficient fixture removes socket shadowing by placing the lamps closer together to provide seamless illumination.

Product features

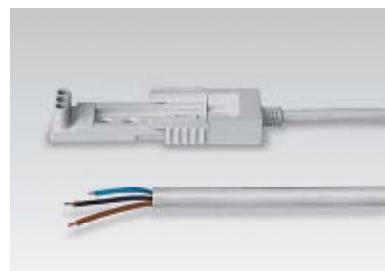
- Rigid aluminium extruded body permits effective heat emission
- Dark spot free at the linking point
- Transparent ivory white diffuser
- AC power driver built in (SMPS not needed)
- Dimmable as fluorescent version - see controls page
- Isolation Class: CLASS II
- Degree of Protection: IP20

Specification

Wattage	7w			14w		
Voltage	AC 220-240v			AC 220-240v		
Frequency	50/60hz			50/60hz		
Operating temperature	0-50°C			0-50°C		
Lamp life	30,000hr			30,000hr		
Energy efficiency	50lm/w			50lm/w		
Max connection	10 pieces			10 pieces		
Colour temperature	3000k	4000k	6500k	3000k	4000k	6500k
Colour rendering (Ra)	80	80	70	80	80	70



Direct connector



Feed cable

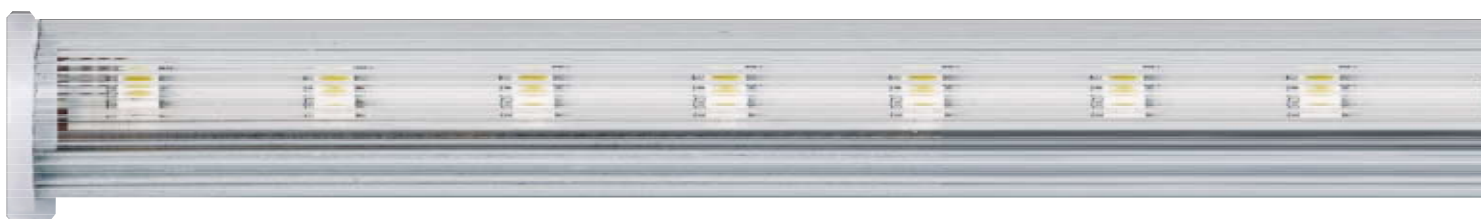


Connecting cable
150mm (6in), 300mm (1ft), 600mm (2ft),
1200mm (4ft), 1800mm (6ft)

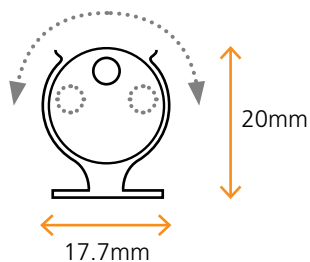


LED Diva

MINIATURE SEAMLESS LED LUMINAIRE. 55 LUMENS PER WATT.
AVAILABLE IN 310mm, 610mm & 910mm LENGTHS.



Adjustable swivel



ACTUAL SIZE



Versatile yet bright in the smallest place.
Slim profile permits installation at limited space.

Product features

- Super compact section
- Acrylic diffuser gives off soft glow
- Transparent ivory white diffuser
- Dark spot free at the linking point
- Eco friendly product
- Super slim built-in DC driver LED
- 360° rotation in bracket
- Isolation Class: CLASS III
- Degree of Protection: IP20

Specification

Model name	Diva 12			Diva 24		
Voltage	DC 12v			DC 24v		
Operating temperature	0-50°C			0-50°C		
Lamp life	30,000hr			30,000hr		
Energy efficiency	55lm/w			55lm/w		
Max connection	3m (35w)			5m (35w)		
Wattage	4w	7w	11w	4w	7w	11w
Length	310mm	610mm	910mm	310mm	610mm	910mm
Colour temperature	3000k	3000k	3000k	3000k	3000k	3000k
	4000k	4000k	4000k	4000k	4000k	4000k
	6500k	6500k	6500k	6500k	6500k	6500k
Colour rendering (Ra)	70			70		

*Ra: Over 80 or 90 are available on customer's request.



Mounting bracket included

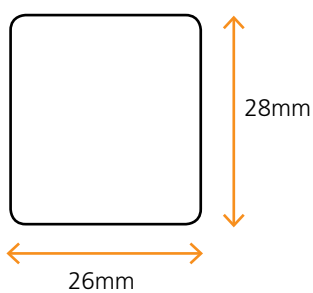


SMPS



LED Bar

SEAMLESS LED LUMINAIRE, MAINS POWERED, DIRECT PLUG'N'PLAY CONNECTION, 60 LUMENS PER WATT. LENGTH 500mm.



ACTUAL SIZE



Feeled bar is the solution for eliminating dark spots in cove lighting. The bar can easily be connected without additional connecting cables.

Dark spot free

Super easy connection - onboard power supply and units link together

Product features

- AC power diver built in (SMPS is not needed)
- Dark spot free at the linking point
- Transparent ivory white diffuser
- Isolation circuit applied
- Additional connecting cables are not needed
- Isolation Class: CLASS II
- Degree of Protection: IP20

Specification

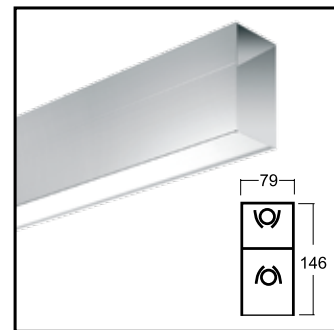
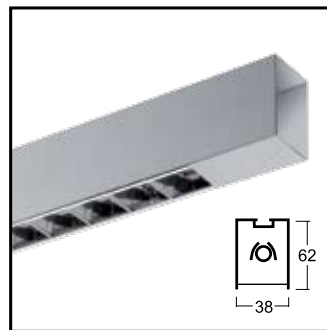
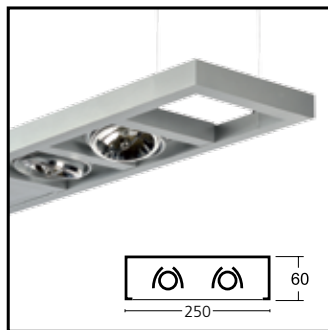
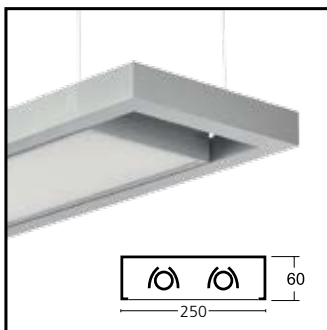
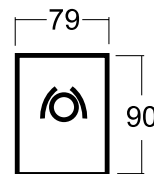
Voltage	AC 220-240v		
Wattage	10w		
Operating temperature	0-50°C		
Lamp life	30,000hr		
Energy efficiency	60lm/w		
Colour rendering (Ra)	80	80	70
Colour temperature	3000k	4000k	6500k
Max connection	400w (40 pieces, 20m)		





Inox Seamless Profile

INOX SEAMLESS PROFILE FOR ALL APPLICATIONS.
BESPOKE MANUFACTURE TO ANY LENGTH.





To specify

SERIES / LENGTH / OUTPUT / DIMMING / VARIATION

SERIES

Recessed IPR
 Surface IPS
 Suspended IPP
 Wall IPW

LENGTH in mm

Any from 600mm to *****mm

OUTPUT

High Efficiency HE
 High Output HO

DIMMING

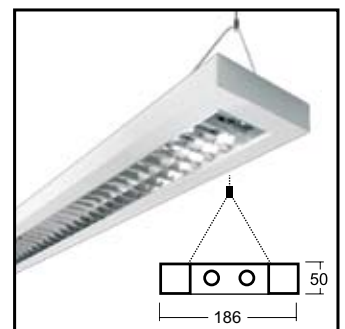
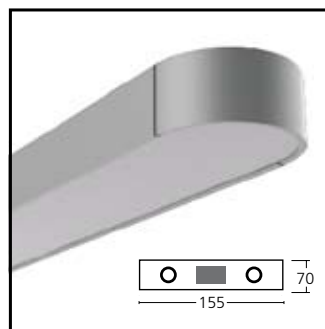
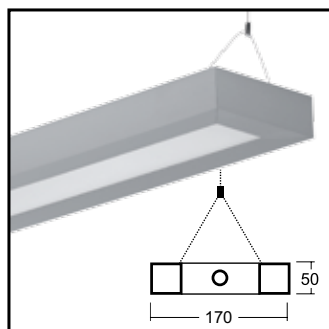
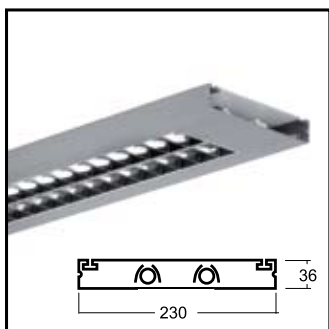
None Blank
 1-10V 1-10V
 DSI DSI
 DALI DALI

VARIATION - add as text

eg.

IPR/6000/HE/DSI

Recessed profile, 6000mm, high efficiency, DSI dimming





Xenon

FULLY FLEXIBLE INCANDESCENT LINEAR SYSTEM.

Our Xenon lighting system is ideal for tight spaces and complex curves.

Xenon lamps available in 2200K and 4000K rated at 20,000 hours life.

24V class 3 system.

Simply dimmable, the warm incandescent light is ideally suited to domestic applications.

Contact us for more details.



Cold Cathode

LONG LIFE, DIMMABLE, A HUGE RANGE OF COLOURS.

See the light - not the fitting.

Lighting systems infinitely flexible in form, intensity and colour, both static and dynamic.

Cold cathode is ideal for coving, shadow gaps and defining form. Extremely long lamp life makes it ideal for use in inaccessible areas.

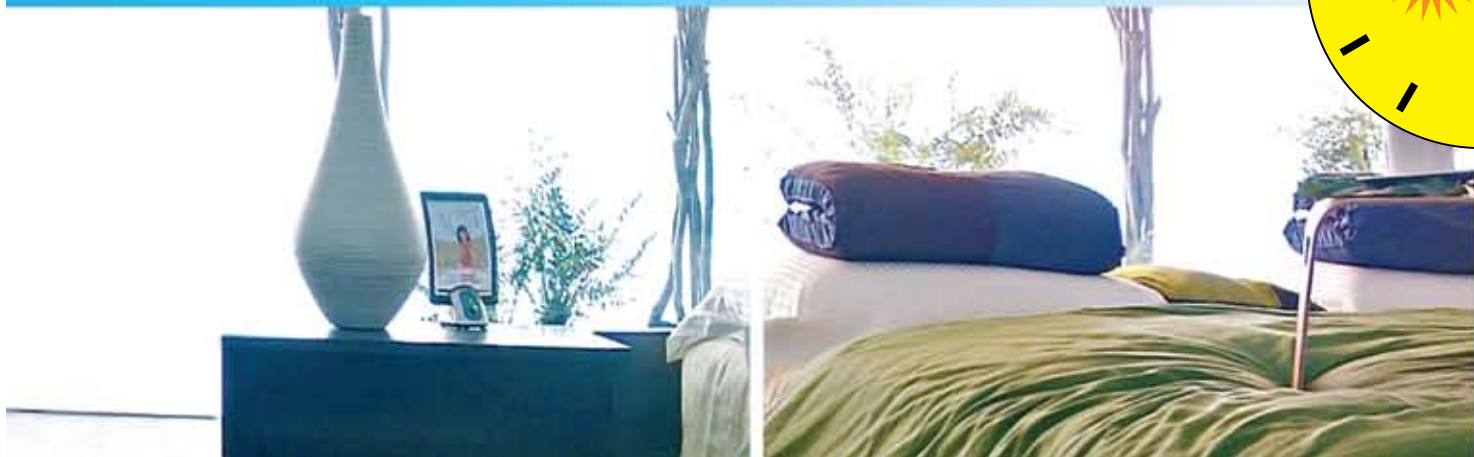
Contact us for more details.



8000K



6000K



Sun in House System & Dimming Controls

Sun in House is a lighting concept designed to match light to the natural daily (or circadian) rhythm of human beings. Several factors affect our natural rhythm, nothing more so than the presence or otherwise of natural light. Natural light varies in colour and intensity throughout the day; the SIH system promotes wellbeing by replicating this process in indoor spaces.

By regulating colour temperature and light intensity, we can create a relaxing atmosphere at home, or boost efficiency at work. For instance, cool light increases certain hormones known to control our alertness; conversely, warm light brings less stimulation, which improves our mood and reduces stress.

Sun in House allows the user to vary colour temperature and intensity to mimic daylight from sunrise through to sunset. It may be applied to homes, offices, factories, schools and colleges, hotels, conference centres, health and medical facilities and any other environment where people are deprived of natural daylight.

The SIH system is the lighting philosophy owned by Mr Si Chung Noh, CEO of Feelux Co. Ltd.



3500K

2200K

Dimming equipment for Dimslimlink and Led Dimslimlink

	Ref	Description	Channels	Intensity Control	Colour Temp Control	Scenes	Max Load	Dim	SiH
Wired System	TC-S1	Wall mount dimming switch	1	14 levels			20 luminaires, max 400W	✓	✓
	TC-S2	Wall mount dimming switch	2	7 levels	7 levels		20 luminaires, max 400W	✓	✓
	TC-S2R	Wall mount dimming switch	2	16 levels		6	20 luminaires, max 400W	✓	✓
	FSA-P2D	Wall mount dimming switch	2			4	20 luminaires, max 350W	✓	✓
Wireless System	FLS-2	Wireless control plate	8	14		8		✓	✓
	DA02Z	Wireless receiver	2				Max 200W per channel	✓	✓
Other system interfaces	DA02V10SE	0-10V/1-10V to PWM translator	2	Dependent on system			20 luminaires, max 400W	✓	✓
	DA02DALI	DALI to PWM translator	2				20 luminaires, max 400W	✓	✓
	FDA-P1H	Phase to PWM translator	1				10 luminaires, max 400W	✓	
	DTOPWM01	DALI/DSI/DMX to PWM translator	4				50 luminaires per channel	✓	✓
RS485 System	SB08R	Controller	32			32		✓	✓
	DA08R	PWM dimmer	8				10 luminaires/ 2A per channel	✓	✓
	DC08R	Switching relay	8				2A per channel		
Accessories	SR02	IR remote control (works with wall mount dimming switches and RS485 system)							
	EA-02	PWM signal booster, works with all PWM devices					20 luminaires, max 800W	✓	✓
	RDS/10R	Rotary 1-10V controller, MK Grid (use with DA02V10SE)	1	Stepless				✓	✓

Inox Technical Lighting Ltd.
Unit 22 Brookside Centre
Sumpters Way, Temple Farm Industrial Estate
Southend-on-Sea SS2 5RR

t: 0845 643 9533 | f: 0845 280 1651 | e: sales@inox.co.uk

inox
lighting innovators

www.inox.co.uk



Steve Archer, glass artist

LED | FLUORESCENT | COLD CATHODE | XENON